

1620 Series

THOMAS
by Gardner Denver

FEATURES

- > Oil-less, non lubricated
- > Comfortable sound emission: low sound and vibration throughout performance range
- > Unmatched performance stability
- > Excellent reliability over lifetime

TYPICAL APPLICATIONS

- > Medical Devices
- > Gas Detectors and Samplers
- > Laboratory Workstations and Analyzers

BASE MODEL

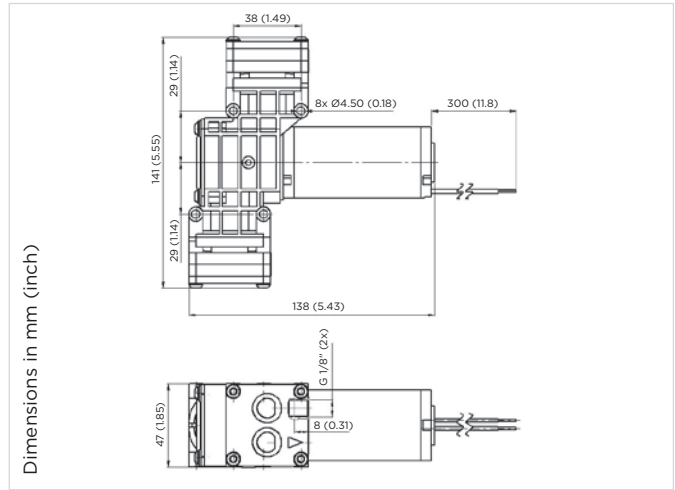
1620VD



Diaphragm

Diaphragm Pump 1620VDP DC EPDM

Flow	16.5 l/min
Max. pressure	1.8 bar
Max. vacuum	87 %



PNEUMATIC DATA

Description	1620VDP/2.2/E/DC	
Part number	12 V	16200000
	24 V	16200010
Max. flow	16.5 l/min	
Max. intermittent pressure	1.8 bar	
Max. continuous pressure	250 mbar	
Max. restart pressure	application dependent	
Max. intermittent vacuum	87 %	
Max. continuous vacuum	45 %	
Max. restart vacuum	87 %	

ELECTRICAL DATA

Motor type	DC brushed
Nominal speed	2800 rpm
Nominal voltage	12 / 24 VDC
Max. power consumption	26.5 W

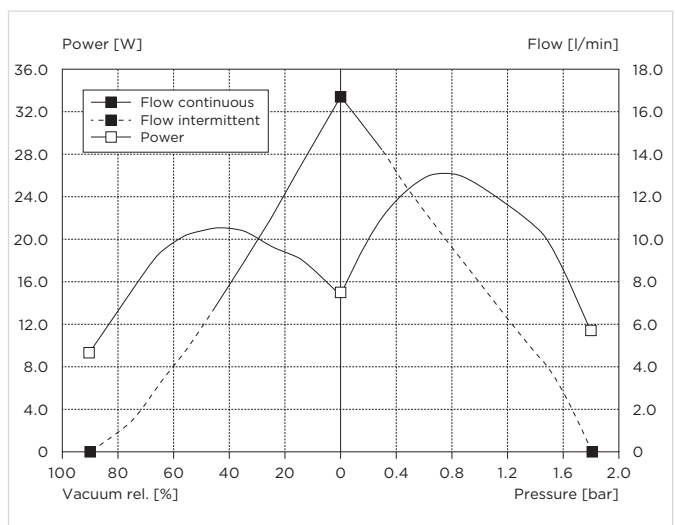
GENERAL DATA

Ambient temperature	5 to 40 °C
Media temperature	5 to 40 °C
Weight	750 g
Port direction	DD
Pneumatic connection	thread size G1/8"
Mounting-side	through hole Ø 4.5 mm

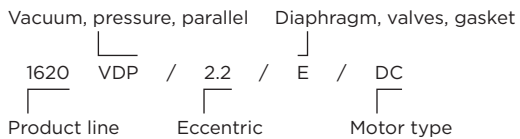
WETTED PARTS

Pump head	PPS
Diaphragm	EPDM
Valve/gasket	EPDM

FLOW CURVES

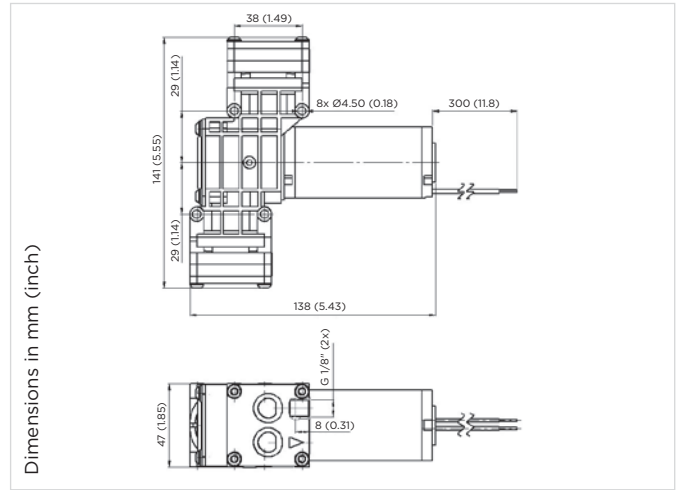


Model key:



Diaphragm Pump 1620VDP DC FKM

Flow	16.0 l/min
Max. pressure	1.75 bar
Max. vacuum	87 %

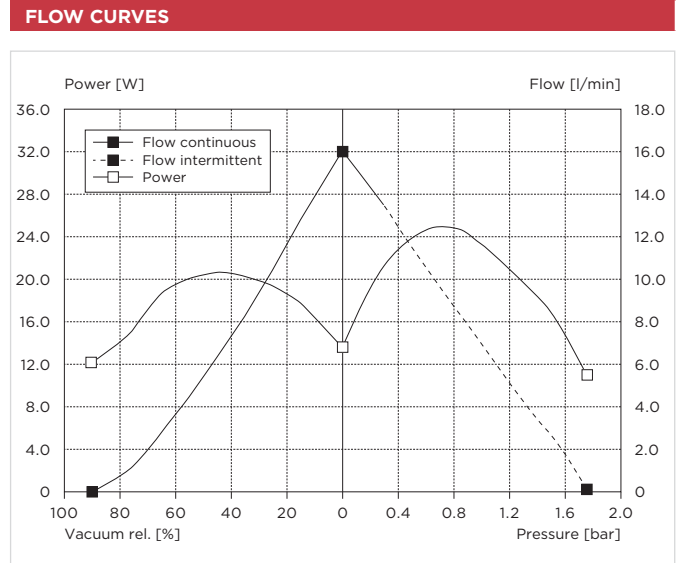


PNEUMATIC DATA		
Description	1620VDP/2.2/F/DC	
Part number	12 V	16201000
	24 V	16201010
Max. flow	16.0 l/min	
Max. intermittent pressure	1.75 bar	
Max. continuous pressure	250 mbar	
Max. restart pressure	application dependent	
Max. intermittent vacuum	87 %	
Max. continuous vacuum	87 %	
Max. restart vacuum	87 %	

ELECTRICAL DATA	
Motor type	DC brushed
Nominal speed	2800 rpm
Nominal voltage	12/24 VDC
Max. power consumption	25.0 W

GENERAL DATA	
Ambient temperature	5 to 40 °C
Media temperature	5 to 40 °C
Weight	750 g
Port direction	DD
Pneumatic connection	thread size G1/8"
Mounting-side	through hole Ø 4.5 mm

WETTED PARTS	
Pump head	PPS
Diaphragm	FKM
Valve/gasket	FKM



Model key:

Vacuum, pressure, parallel Diaphragm, valves, gasket

1620 VDP / 2.2 / F / DC

Product line Eccentric Motor type

PUMP AND COMPRESSOR SOLUTIONS FOR OEMS WORLDWIDE

gd-thomas.com



Gardner Denver Thomas GmbH
Livry-Gargan-Str. 10
82256 Fürstenfeldbruck
Germany
T +49 8141 2280 0
F +49 8141 8892136
thomas.de@gardnerdenver.com

Gardner Denver Hong Kong, Limited
Unit 1317-1318 Delta House, 3 On Yiu Street
Siu Lek Yuen, Shatin, New Territories
Hong Kong
T +852 26903502
F +852 27924598
thomas.hk@gardnerdenver.com

Gardner Denver Thomas, Inc.
1419 Illinois Avenue
Sheboygan, WI 53081
USA
T +1 920 4574891
F +1 920 4514276
td.usa@gardnerdenver.com

THOMAS
by Gardner Denver

The information presented in this material is based on technical data and test results of nominal units. It is believed to be accurate and reliable and is offered as an aid to help in the selection of Thomas products. It is the responsibility of the user to determine the suitability of the product for the intended use and the user assumes all risk and liability in connection therewith. Thomas does not warrant, guarantee or assume any obligation or liability in connection with this information.

Models presented in this catalog are representative of the product family. Photos of products pictured in this catalog do not necessarily represent a specific model number. To obtain further information for custom options, contact your local Thomas office.

Printed in Germany Form No. 17001620 12/2015 © Gardner Denver Thomas GmbH. All rights reserved.