

## 2688V Series

**THOMAS**  
by Gardner Denver

### FEATURES

- > Maximum vacuum up to 98% of local barometer
- > Corrosion resistant wetted parts
- > Oil-less operation
- > Air filter/capacitor assembled
- > Lightweight aluminium die-cast components
- > Dynamically balanced
- > Permanently lubricated bearings
- > Patented monolithic head
- > Motor thermally protected
- > Stainless steel valves
- > Twin 9 blade internal cooling fans
- > Reliable WOB-L® piston technology
- > Agency approved (UL or TUV)
- > RoHS compliant
- > Easily serviced

Declaration documentation available upon request

### TYPICAL APPLICATIONS

- > Dental Vacuum Oven
- > Biopsy Device
- > High Volume Autoclave

### BASE MODELS

2688VE44

(115/60/1)

2688VGH144

(220-240/50/1 & 230/60/1)

2688VS44

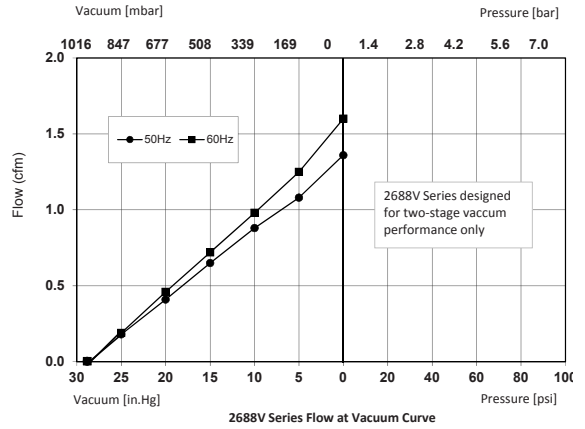
(100/50/60/1)



WOB-L®

# 2688V Series

Flow	1.60 cfm (45.3 l/min)
Max. pressure	N/A Vacuum Only
Max. vacuum	98% local barometer



NOTE: All test values are nominal and for reference only. They are not guaranteed maximum or minimum limits, nor do they imply mean or median values.

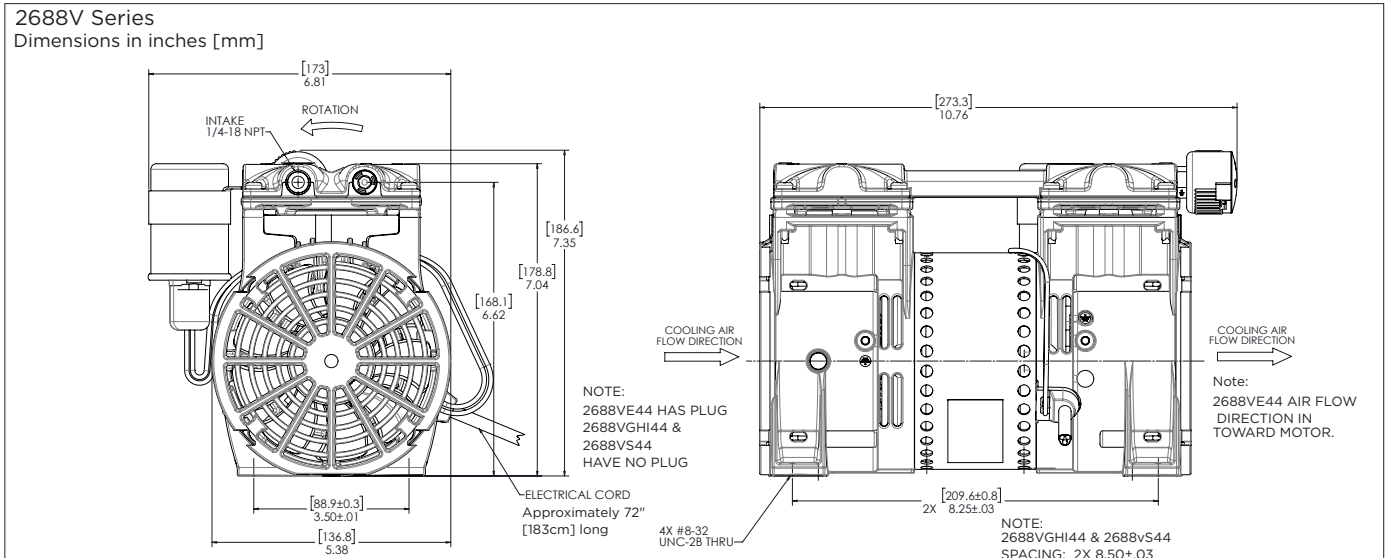
PERFORMANCE DATA					
Model Number	2688VE44	2688VGH144		2688VS44	
Head Configuration	2 Stage Vacuum	2 Stage Vacuum		2 Stage Vacuum	
Stroke	0.44 in. (11.2 mm)	0.44 in. (11.2 mm)		0.44 in. (11.2 mm)	
Nominal voltage input	115/60/1	230/50/1	230/60/1	100/50/1	100/60/1
Max. open air flow	1.60 cfm (45.3 l/min)	1.36 cfm (38.5 l/min)	1.60 cfm (45.3 l/min)	1.36 cfm (38.5 l/min)	1.60 cfm (45.3 l/min)
Max. rated vacuum	98% local barometer	98% local barometer	98% local barometer	98% local barometer	98% local barometer
Current at rated vacuum	3.2A	0.75A	0.8A	3.1A	2.1A
Power at rated vacuum	240W	145W	160W	190W	205W
Speed at rated vacuum	1750 rpm	1475 rpm	1750 rpm	1465 rpm	1756 rpm
Max. pressure	Not applicable	Not applicable		Not applicable	
Max. pressure restart	Not applicable	Not applicable		Not applicable	
Max. vacuum restart	Not applicable	Not applicable		Not applicable	

ELECTRICAL DATA					
Motor type (Capacitance)	P.S.C. [7 µF]	P.S.C. [7 µF]		P.S.C. [15 µF]	
Motor locked rotor current	12.2A	3.9A	3.8A	12.2A	11.3A
Motor insulation class	B	B		B	
Thermal switch (Open temperature)	Yes [293°F (145°C)]	Yes [275°F (135°C)]		Yes [293°F (145°C)]	
Lead wire color, gauge	Cord with NEMA 5-15 plug	Brown, blue, green w/yellow 18 AWG w/jacket (no plug)		Brown, blue, green w/yellow 18 AWG w/jacket (no plug)	
Capacitor lead wire color, gauge	Black, black, 18 AWG	Red, red, 18 AWG		Red, red, 18 AWG	

GENERAL DATA			
Operating ambient temperature	50° to 104°F (10°C TO 40°C)*	50° to 104°F (10°C TO 40°C)*	50° to 104°F (10°C TO 40°C)*
Safety Certification	cRUus	TUV	Consult Factory
Net weight	16.4 lbs (7.4 kg)	14.6 lbs (6.6 kg)	16.4 lbs (7.4 kg)

\*Broader ambient operating ranges may be possible depending on your specific application. Please consult factory regarding your particular system needs.

## PRODUCT DIMENSIONS



PUMP AND COMPRESSOR SOLUTIONS FOR OEMS WORLDWIDE

[gd-thomas.com](http://gd-thomas.com)



**Gardner Denver Thomas GmbH**

Livry-Gargan-Str. 10  
82256 Fürstentfeldbruck  
Germany  
T +49 8141 2280 0  
F +49 8141 8892136

[thomas.de@gardnerdenver.com](mailto:thomas.de@gardnerdenver.com)

**Gardner Denver Thomas Pneumatic Systems (Wuxi) Co. Ltd.**

1 New Dong'an Road, Shuofang Town  
Xinwu District, Wuxi  
Jiangsu, 214142 China  
T +86 510 6878 2258  
F +86 510 6878 2200

[thomas.cn@gardnerdenver.com](mailto:thomas.cn@gardnerdenver.com)

**THOMAS**

by Gardner Denver

**Gardner Denver Thomas, Inc.**

1419 Illinois Avenue  
Sheboygan, WI 53081  
USA  
T +1 920 4574891  
F +1 920 4514276

[td.usa@gardnerdenver.com](mailto:td.usa@gardnerdenver.com)

The information presented in this material is based on technical data and test results of nominal units. It is believed to be accurate and reliable and is offered as an aid to help in the selection of Thomas products. It is the responsibility of the user to determine the suitability of the product for the intended use and the user assumes all risk and liability in connection there with. Thomas does not warrant, guarantee or assume any obligation or liability in connection with this information.

Models presented in this catalog are representative of the product family. Photos of products pictured in this catalog do not necessarily represent a specific model number. To obtain further information for custom options, contact your local Thomas office.

Printed in U.S.A Form No. 850-3309 05/2019 © Gardner Denver Thomas, Inc. All rights reserved.