

### FEATURES

- > Oil-less
- > Low vibration
- > Low sound level

### TYPICAL APPLICATIONS

- > Medical devices
- > Clinical analyzers
- > Air collector
- > Inhalators
- > Autoclaves

### BASE MODEL

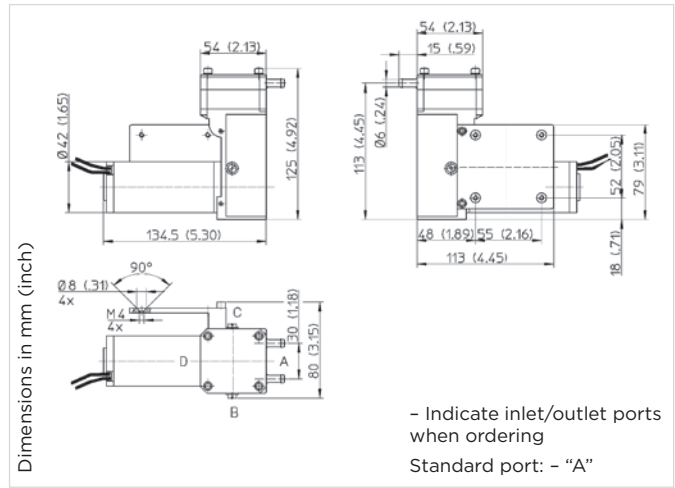
7015 DC  
7015Z DC  
7015Z AC



Diaphragm

# Diaphragm Pump 7015 DC

Flow	14.0 l/min
Max. pressure	2.5 bar
Max. vacuum	80 %



## PNEUMATIC DATA

Description	7015VD/2.5/F/DC	7015VD/2.5/F/DC
Part number	12 V DC 24 V DC	70152005
Max. flow	14.0 l/min	14.0 l/min
Max. intermittent duty	2.5 bar	2.5 bar
Max. continuous pressure	1.0 bar	1.0 bar
Max. restart pressure	Ambient pressure*	Ambient pressure*
Max. vacuum	80 %	80 %
Max. continuous vacuum	80 %	80 %
Max. restart vacuum	Ambient pressure*	80 %

## ELECTRICAL DATA

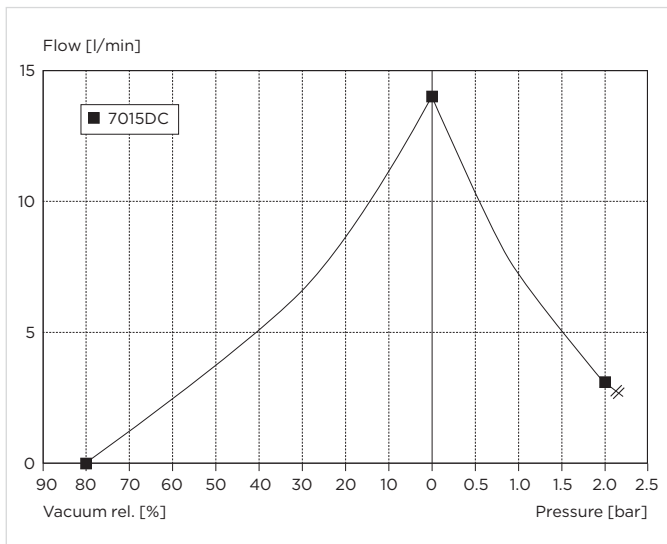
Motor type	Permanent magnet	Permanent magnet
Nominal voltage	12/24 V DC	12/24 V DC
Nominal speed	2800 rpm	2800 rpm
Current consumption	2.2/0.91 A	2.2/0.91 A
Starting current	8.7/5.3 A	8.7/5.3 A
Power consumption	27 W	27 W
Motor insulation class	E	E
Protection class	IP20	IP20

## GENERAL DATA

Ambient temperature	15 to 40 °C	15 to 40 °C
Media temperature	15 to 60 °C	15 to 60 °C
Weight	1.1 kg	1.1 kg
Port direction	A	A

\* Part numbers change when restart is required with vacuum or pressure.

## FLOW CURVES



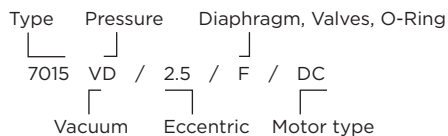
## WETTED PARTS

Pump chamber	PAA
Pump head	PAA
Diaphragm	FKM
Valves	FKM
O-Ring	FKM
Diaphragm plate screw	Galvanized steel

## OPTIONS

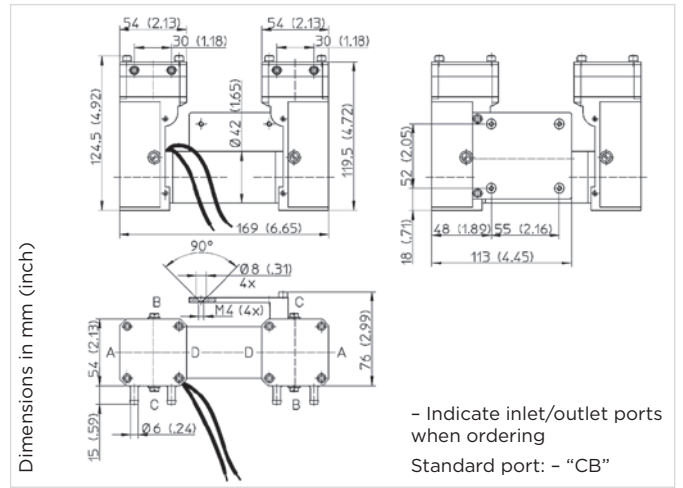
PPS
PPS
EPDM, PTFE (FKM), PTFE
EPDM, FFKM

Model key:



# Diaphragm Pump 7015Z DC

Flow	25.0 l/min
Max. pressure	2.5 bar
Max. vacuum	95 %



## PNEUMATIC DATA

Description	7015ZVDP/2.5/F/DC	7015ZVR/2.5/F/DC
Part number	12 V DC 70152009 24 V DC 70152010	70152015 70152016
Max. flow	25.0 l/min	12.0 l/min
Max. intermittent duty	2.5 bar	
Max. continuous pressure	1.0 bar	
Max. restart pressure	Ambient pressure*	
Max. vacuum	80 %	95 %
Max. continuous vacuum	80 %	95 %
Max. restart vacuum	80 %	95 %

## ELECTRICAL DATA

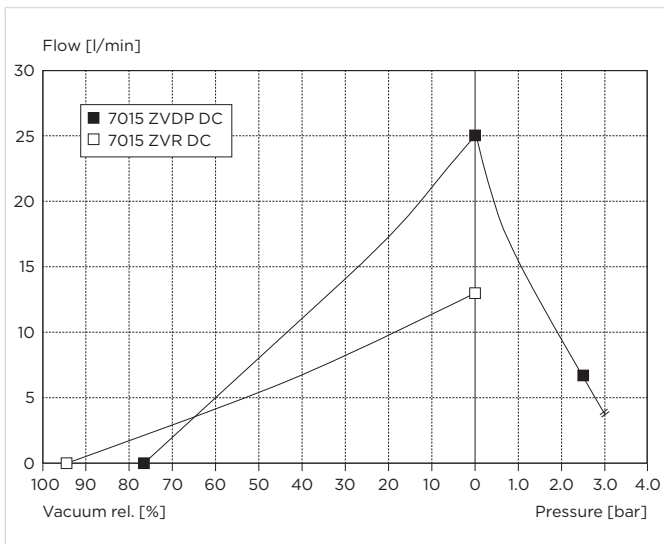
Motor type	Permanent magnet	Permanent magnet
Nominal voltage	12/24 V DC	12/24 V DC
Nominal speed	2800 rpm	2800 rpm
Current consumption	6.0/3.0 A	6.0/3.0 A
Starting current	18.0/9.0 A	18.0/9.0 A
Power consumption	72 W	72 W
Motor insulation class	E	E
Protection class	IP20	IP20

## GENERAL DATA

Ambient temperature	15 to 40 °C	15 to 40 °C
Media temperature	15 to 60 °C	15 to 60 °C
Weight	1.5 kg	1.5 kg
Port direction	CB	CB
Configuration	Parallel	Series

\* Part numbers change when restart is required with vacuum or pressure.

## FLOW CURVES



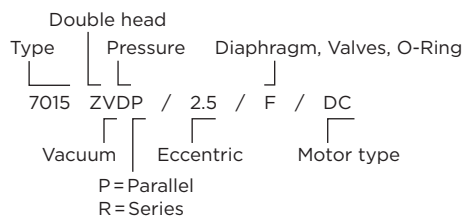
## WETTED PARTS

Pump chamber	PAA
Pump head	PAA
Diaphragm	FKM
Valves	FKM
O-Ring	FKM
Diaphragm plate screw	Galvanized steel

## OPTIONS

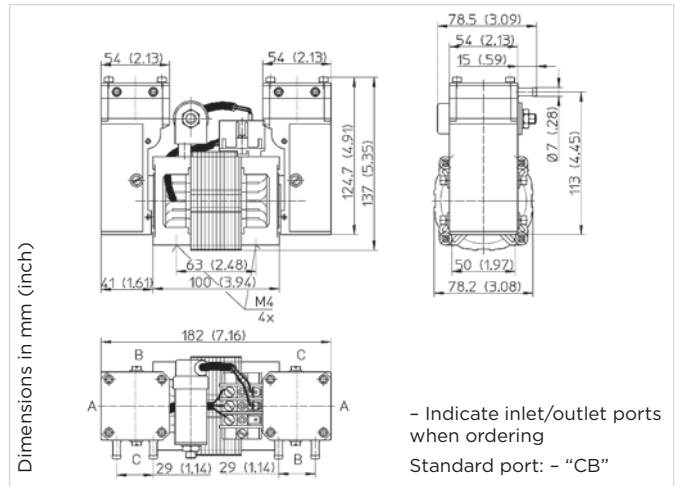
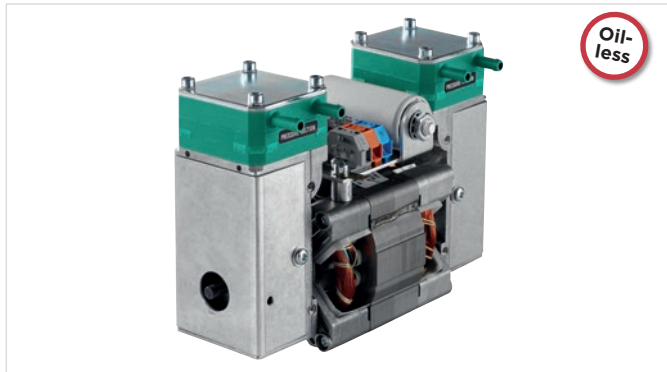
PPS
PPS
EPDM, PTFE (FKM), PTFE
EPDM, FFKM

Model key:



# Diaphragm Pump 7015Z AC

Flow	22.0 l/min
Max. pressure	2.5 bar
Max. vacuum	90%



## PNEUMATIC DATA

Description	7015ZVDP/2.5/F/AC	7015ZVR/2.5/EFF/AC
Part number	230 V/50 Hz 70152008	70150132
Max. flow	22.0 l/min	12.0 l/min
Max. intermittent duty	2.5 bar	
Max. continuous pressure	1.0 bar	
Max. restart pressure	Ambient pressure*	
Max. vacuum	80%	90%
Max. continuous vacuum	80%	90%
Max. restart vacuum	Ambient pressure*	90%

## ELECTRICAL DATA

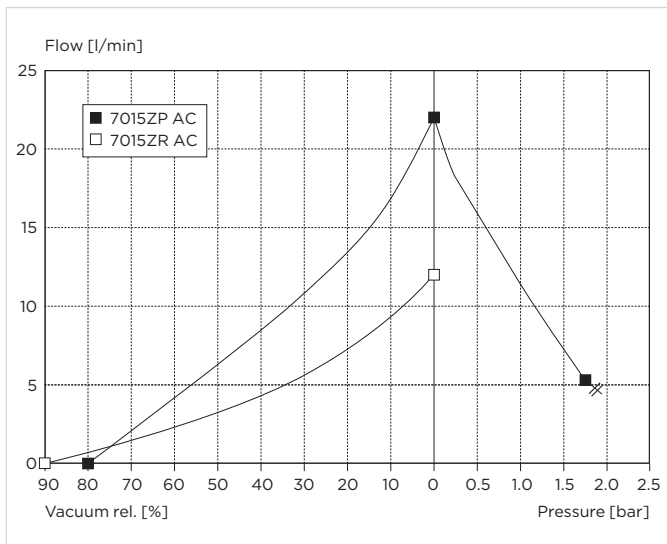
Motor type	Capacitor	Capacitor
Nominal voltage	230 V/50 Hz	230 V/50 Hz
Nominal speed	2700 rpm	2700 rpm
Current consumption	0.38 A	0.38 A
Starting current	0.5 A	0.5 A
Power consumption	67 W	67 W
Motor insulation class	B	B
Protection class	IPOO	IPOO

## GENERAL DATA

Ambient temperature	15 to 40 °C	15 to 40 °C
Media temperature	15 to 40 °C	15 to 40 °C
Weight	2.4 kg	2.4 kg
Port direction	CB	CB
Configuration	Parallel	Series

\* Part numbers change when restart is required with vacuum or pressure.

## FLOW CURVES



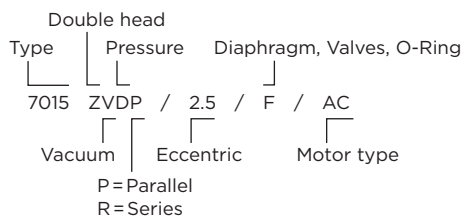
## WETTED PARTS

Pump chamber	PAA
Pump head	PAA
Diaphragm	FKM
Valves	FKM
O-Ring	FKM
Diaphragm plate screw	Galvanized steel

## OPTIONS

PPS
PPS
EPDM, PTFE (FKM), PTFE

Model key:





PUMP AND COMPRESSOR SOLUTIONS FOR OEMS WORLDWIDE

[gd-thomas.com](http://gd-thomas.com)



**Gardner Denver Thomas GmbH**  
Livry-Gargan-Str. 10  
82256 Fürstfeldbruck  
Germany  
T +49 8141 2280 0  
F +49 8141 8892136  
[thomas.de@gardnerdenver.com](mailto:thomas.de@gardnerdenver.com)

**Gardner Denver Hong Kong, Limited**  
Unit 1317-1318 Delta House, 3 On Yiu Street  
Siu Lek Yuen, Shatin, New Territories  
Hong Kong  
T +852 26903502  
F +852 27924598  
[thomas.hk@gardnerdenver.com](mailto:thomas.hk@gardnerdenver.com)

**Gardner Denver Thomas, Inc.**  
1419 Illinois Avenue  
Sheboygan, WI 53081  
USA  
T +1 920 4574891  
F +1 920 4514276  
[td.usa@gardnerdenver.com](mailto:td.usa@gardnerdenver.com)

**THOMAS**  
by Gardner Denver

The information presented in this material is based on technical data and test results of nominal units. It is believed to be accurate and reliable and is offered as an aid to help in the selection of Thomas products. It is the responsibility of the user to determine the suitability of the product for the intended use and the user assumes all risk and liability in connection therewith. Thomas does not warrant, guarantee or assume any obligation or liability in connection with this information.

Models presented in this catalog are representative of the product family. Photos of products pictured in this catalog do not necessarily represent a specific model number. To obtain further information for custom options, contact your local Thomas office.

Printed in Germany Form No. 17007015 09/2016 © Gardner Denver Thomas GmbH. All rights reserved.